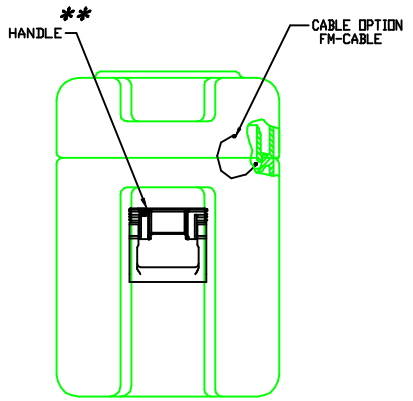
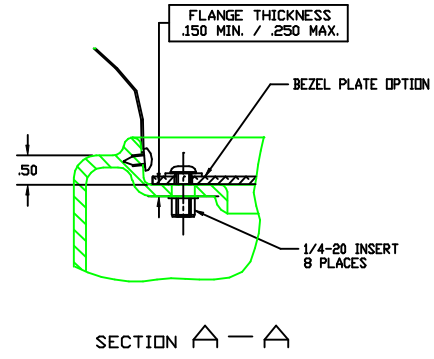
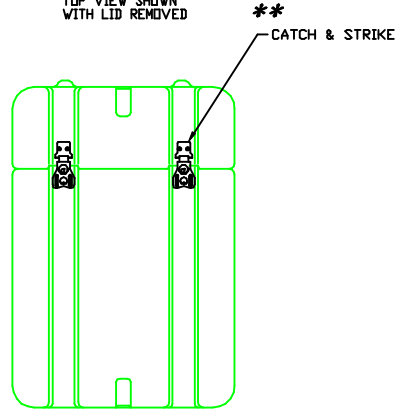
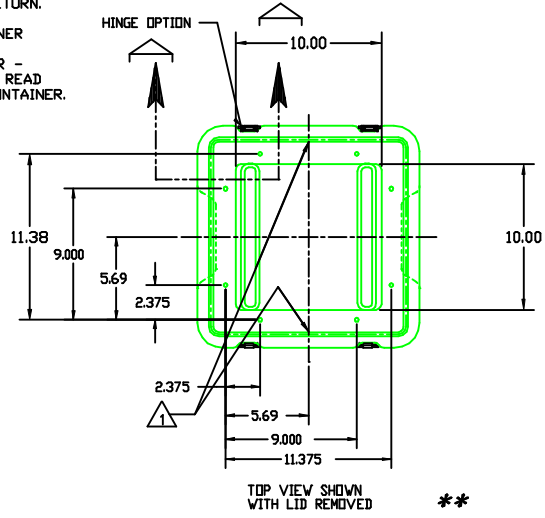
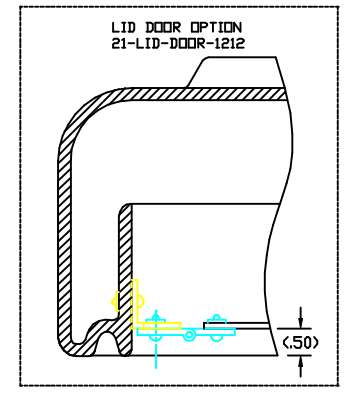


△ PLACE TWO TORQUE LABEL P95-17 ABOVE FLANGE CENTERED ON THE VERICAL EDGE OF THE KNIFE RETURN.  
 ONE ON BACK INSIDE OF CONTAINER  
 ONE ON FRONT INSIDE CONTAINER - UPSIDE DOWN SO LABEL CAN BE READ WHEN STANDING IN FRONT OF CONTAINER.



DIMENSIONS (FOR REFERENCE ONLY)	INCH	MM
OVERALL LENGTH (LEFT TO RIGHT)	15.00	381.0
OVERALL WIDTH (FRONT TO BACK)	15.00	381.0
OVERALL HEIGHT	21.99	558.5
INSIDE LENGTH (LEFT TO RIGHT)	12.00	304.8
INSIDE WIDTH (FRONT TO BACK)	12.00	304.8
INSIDE HEIGHT	20.30	515.6
INSIDE BASE HEIGHT	15.18	385.5
INSIDE LID HEIGHT	5.12	130.0
MAX PLATE LENGTH	12.44	316.0
MAX PLATE WIDTH	12.44	316.0

\*\* ALTERNATIVE HARDWARE IS AVAILABLE FOR "\*\*\*" ITEMS.



NOTE:  
 THIS DRAWING REPRESENTS HARDIGG'S FLANGE MOUNT CASE.  
 FOR STANDARD CONTAINER OPTIONS SEE CONFIGURABLE DRAWING AL1212-1505.

<b>HARDIGG INDUSTRIES, INC.</b> <small>2000 BEECHFIELD, WASHINGTON STATE 98078</small>		<small>THIS DRAWING AND ALL COPIES AND THE DESIGN AND DATA SHOWN ARE THE PROPERTY OF HARDIGG INDUSTRIES, INC. SO BEING HELD IN U.S.A. AND INCLUDE PROPRIETARY INFORMATION. THE BORROWER BY RECEIPT OR RETENTION OF THE DRAWING AGREES THAT, EXCEPT AS EXPRESSLY AUTHORIZED IN WRITING BY HARDIGG INDUSTRIES, INC. IT WILL NOT USE THE DRAWING OR ANY COPY OF THE DESIGN OR DATA SHOWN TO NOT REPRODUCE COPY, EXCEPT EXPORT OR JUST-RENTS THE DRAWING OR ANY COPY FOR USE BY OTHERS AND UPON DEMAND RETURN THE DRAWING AND ALL COPIES AND MATERIAL COPIED THEREFROM.</small>
<b>TITLE</b> STANDARD CONFIGURABLE CASE		
<b>CAGE</b> 11214	<b>DWG. NO.</b> 1212-1505FM	
<b>REV. DRAWN BY</b> LABRE	<b>DATE</b> 4/13/00	
<b>SHEET</b> 1 OF 1		

1212-1505FM