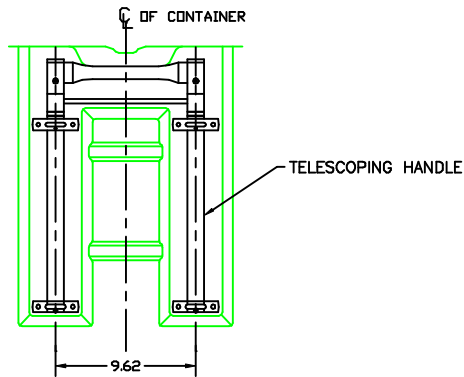
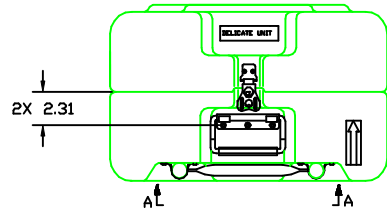
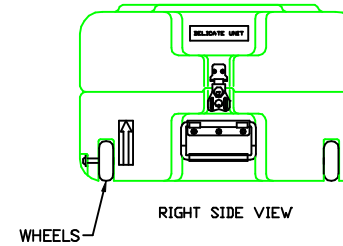
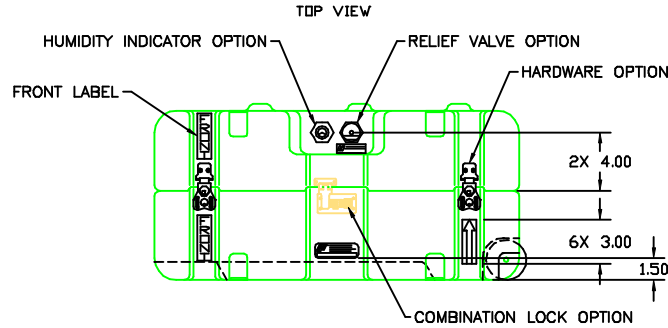
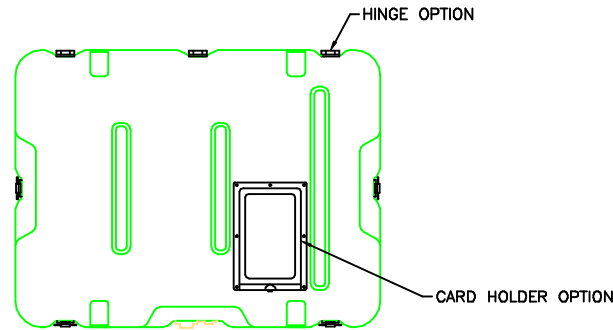


DIMENSIONS (FOR REFERENCE ONLY)	INCH	MM
OVERALL LENGTH (LEFT TO RIGHT)	25.02	635.5
OVERALL WIDTH (FRONT TO BACK)	19.02	483.1
OVERALL HEIGHT	12.13	308.1
INSIDE LENGTH (LEFT TO RIGHT)	22.00	558.8
INSIDE WIDTH (FRONT TO BACK)	16.00	406.4
INSIDE HEIGHT	8.31	211.0
INSIDE BASE HEIGHT	3.00	76.2
INSIDE LID HEIGHT	5.31	134.8

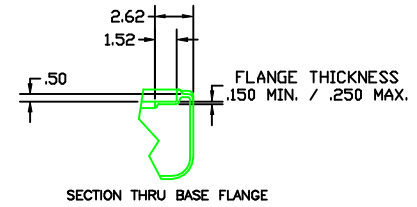
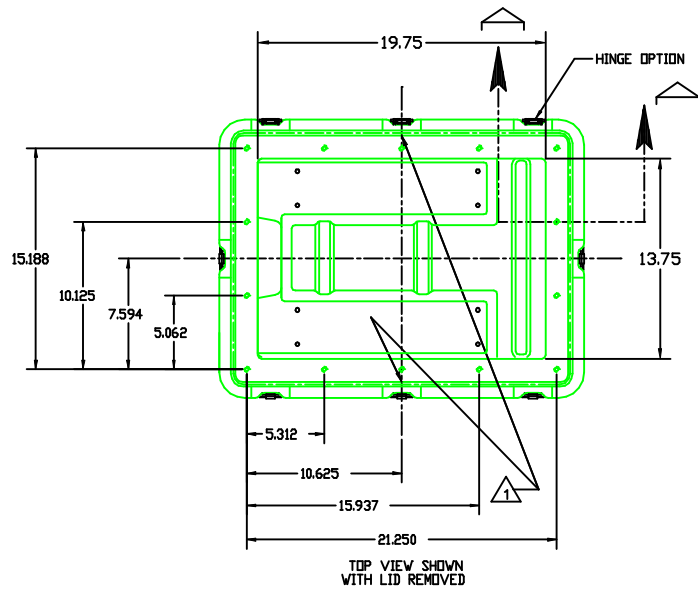
SEE SHEET 3 OF 3 FOR
BASE DEPTH DIMENSIONS



NOTE:
THIS DRAWING REPRESENTS HARDIGG'S STANDARD CASE OPTIONS, LOCATED IN STANDARD LOCATIONS. IF ALTERNATIVE OPTIONS OR LOCATIONS ARE REQUIRED, HARDIGG MUST QUOTE SEPARATELY.

HARDIGG INDUSTRIES, INC. <small>10000 WOODFIELD DRIVE, WOODFIELD, MA 01996</small>		THIS DRAWING AND ALL COPIES AND THE DESIGN AND DATA SHOWN ARE THE PROPERTY OF HARDIGG INDUSTRIES, INC. SO, REPRODUCTION, IN WHOLE OR IN PART, WITHOUT THE WRITTEN PERMISSION OF HARDIGG INDUSTRIES, INC. IS STRICTLY PROHIBITED.
TITLE STANDARD CONFIGURABLE CASE		
CASE NO. 11214	DWG. NO. GR-2216-0305FM	THIS DRAWING IS THE PROPERTY OF HARDIGG INDUSTRIES, INC. IT WILL BE RETURNED TO THE DRAWING OFFICE UPON DEMAND. HARDIGG INDUSTRIES, INC. WILL NOT BE RESPONSIBLE FOR ANY REPRODUCTION, EXCEPT FOR THAT WHICH IS SPECIFICALLY AUTHORIZED BY HARDIGG INDUSTRIES, INC. IN WRITING.
REV. H	DATE 08/21/13	SHEET 1 OF 3
DRAWN BY CLAIRE		DATE 08/21/13

DRAWING NO. GR-2216-0305FM



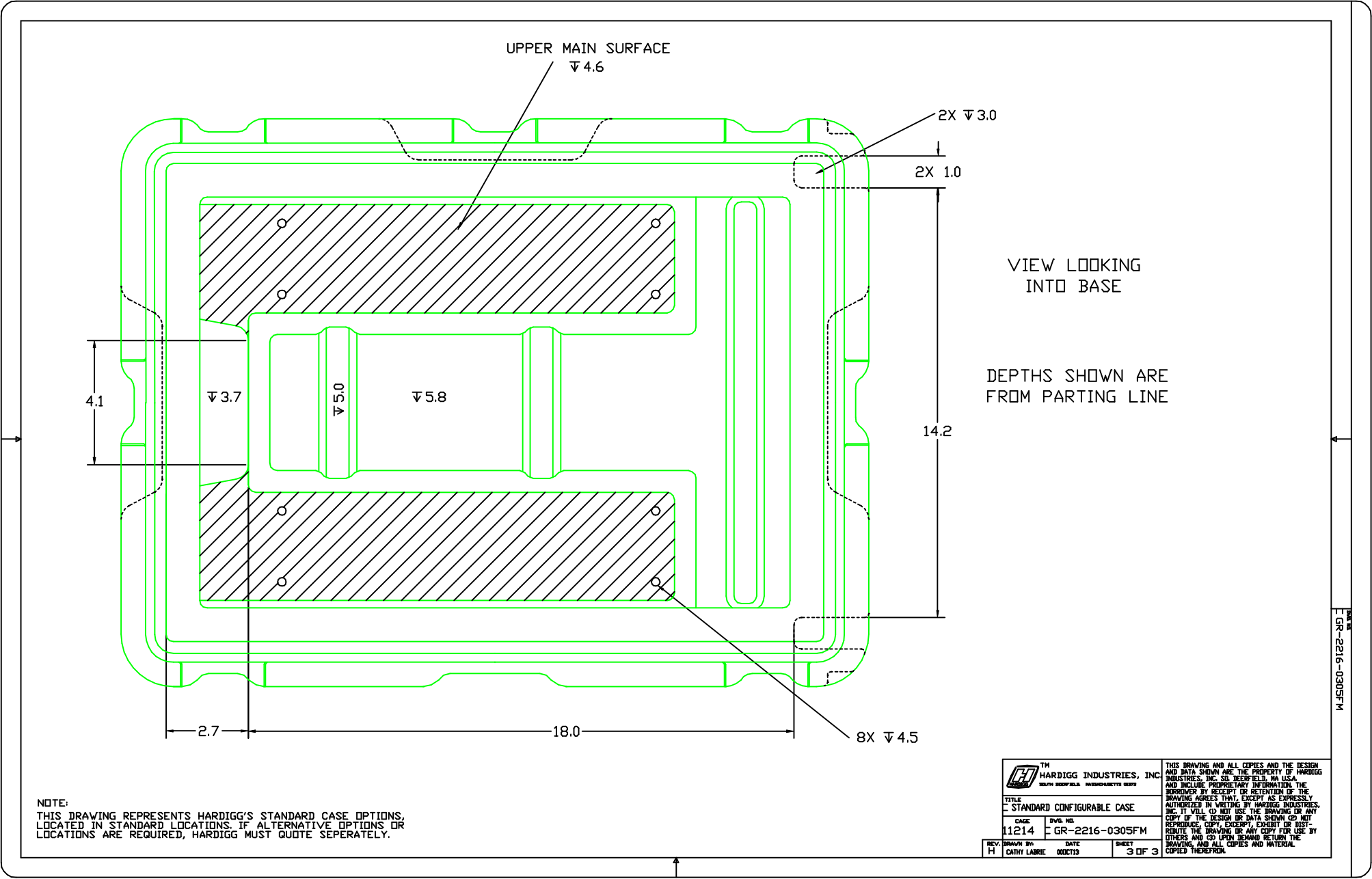
THIS DRAWING AND ALL COPIES AND THE DESIGN AND DATA SHOWN ARE THE PROPERTY OF HARDIGG INDUSTRIES, INC. SO KEEP TELL IN U.S.A. AND INCLUDE PROPRIETARY INFORMATION. THE INFORMATION BY RECEIPT OR RETENTION OF THE DRAWING AGREES THAT, EXCEPT AS EXPRESSLY AUTHORIZED IN WRITING BY HARDIGG INDUSTRIES, INC. IT WILL NOT BE USED FOR REPRODUCTION OR ANY COPY OF THE DESIGN OR DATA SHOWN OR NOT REPRODUCE COPY, EXCEPT EXHIBIT OR JUST. RETURN THE DRAWING OR ANY COPY FOR USE BY OTHERS AND GO UPON DEMAND RETURN THE DRAWING AND ALL COPIES AND MATERIAL COPIED THEREON.

TITLE
STANDARD CONFIGURABLE CASE

DATE 11/21/14 DWG. NO. GR-2216-0305FM

REV. DRAWN BY CATHY LABRE DATE 08/21/13 SHEET 2 OF 3

GR-2216-0305FM



UPPER MAIN SURFACE
 $\nabla 4.6$

2X $\nabla 3.0$

2X 1.0

VIEW LOOKING
 INTO BASE

DEPTHS SHOWN ARE
 FROM PARTING LINE

4.1

$\nabla 3.7$

$\nabla 5.0$

$\nabla 5.8$

14.2

2.7

18.0

8X $\nabla 4.5$

NOTE:
 THIS DRAWING REPRESENTS HARDIGG'S STANDARD CASE OPTIONS,
 LOCATED IN STANDARD LOCATIONS. IF ALTERNATIVE OPTIONS OR
 LOCATIONS ARE REQUIRED, HARDIGG MUST QUOTE SEPERATELY.

HARDIGG INDUSTRIES, INC. <small>SEWELL, MASSACHUSETTS 01973</small>		<small>THIS DRAWING AND ALL COPIES AND THE DESIGN AND DATA SHOWN ARE THE PROPERTY OF HARDIGG INDUSTRIES, INC. SEWELL, MA U.S.A. AND INCLUDE PROPRIETARY INFORMATION. THE BORROWER BY RECEIPT OR RETENTION OF THE DRAWING AGREES THAT, EXCEPT AS EXPRESSLY AUTHORIZED IN WRITING BY HARDIGG INDUSTRIES, INC. IT WILL NOT USE THE DRAWING OR ANY COPY OF THE DESIGN OR DATA SHOWN OR NOT REPRODUCE COPY, EXCEPT FOR JUST REPLICATE THE DRAWING OR ANY COPY FOR USE BY OTHERS AND UPON DEMAND RETURN THE DRAWING AND ALL COPIES AND MATERIAL COPIED THEREFROM.</small>
TITLE STANDARD CONFIGURABLE CASE		
CASE 11214	DRG. NO. GR-2216-0305FM	
REV. DRAWN BY H1 CATHY LABRIE	DATE 00CT13	SHEET 3 OF 3

DRAWING NO.
 GR-2216-0305FM