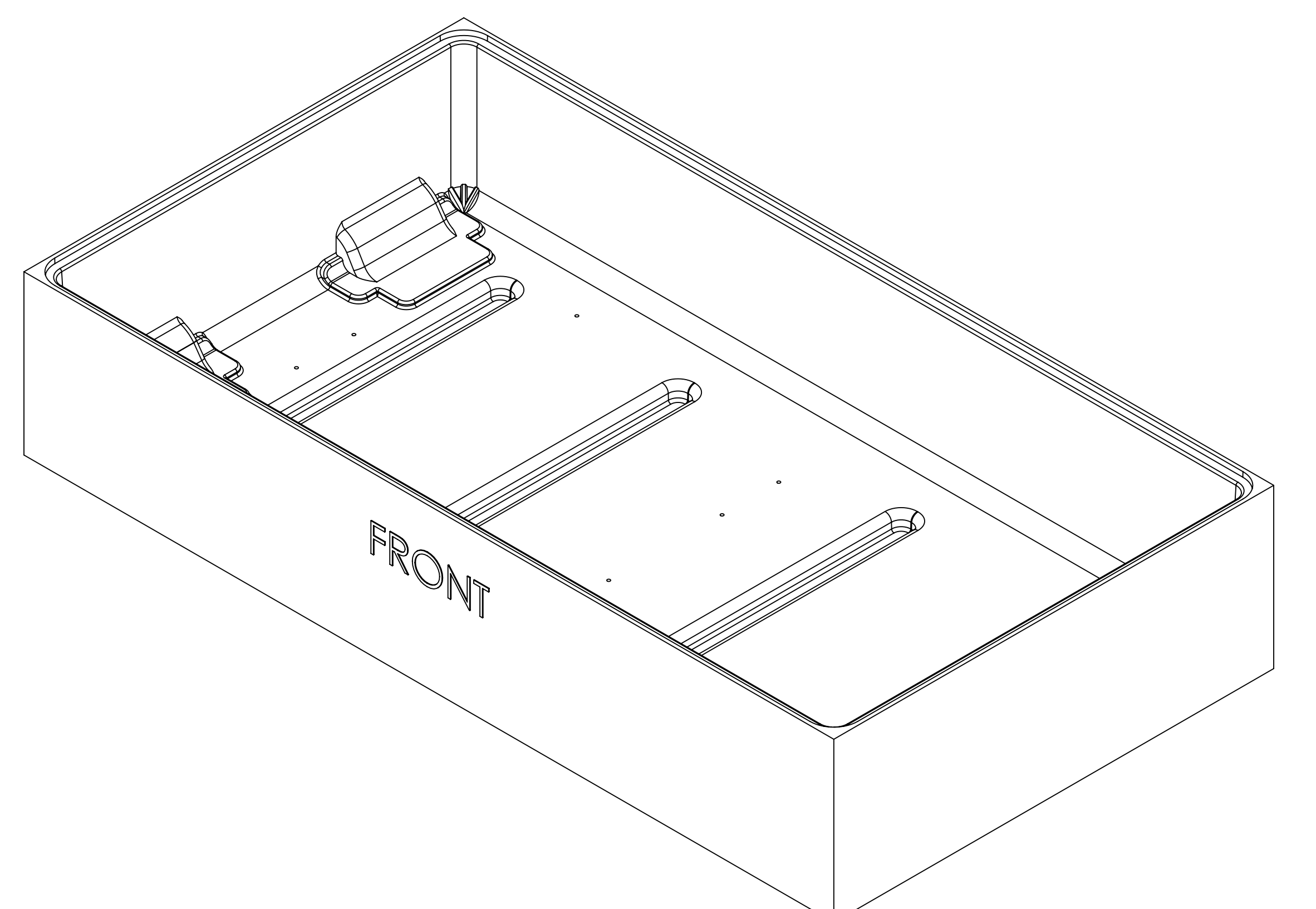
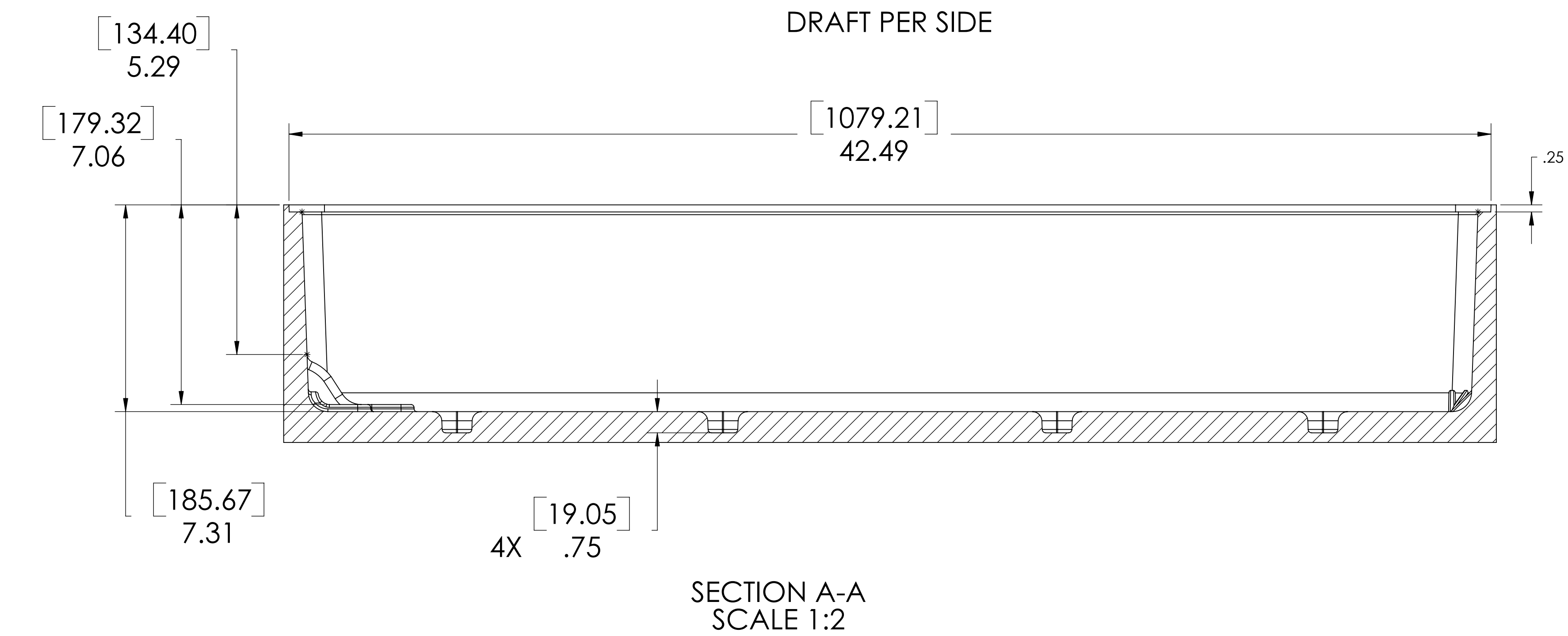
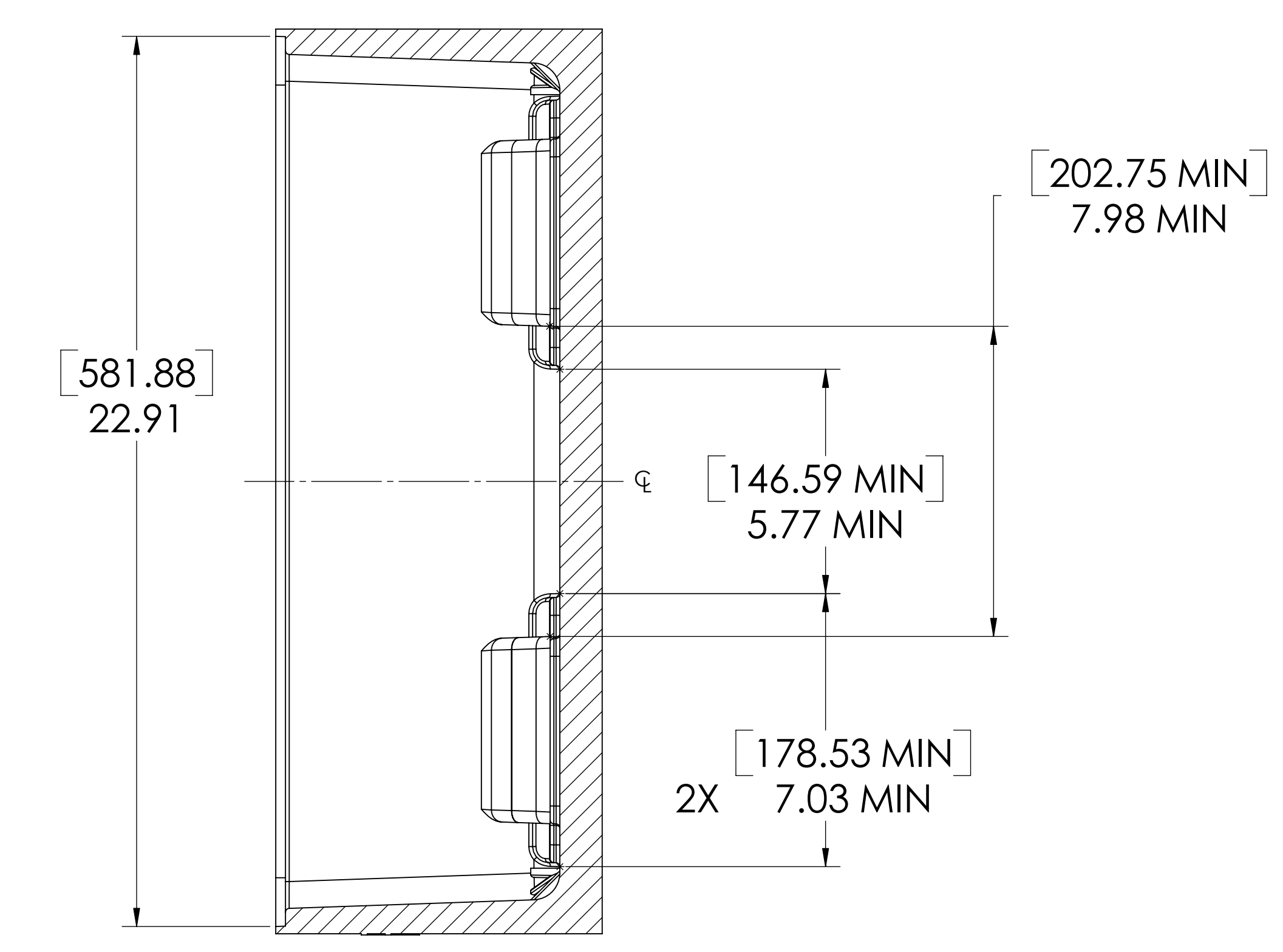
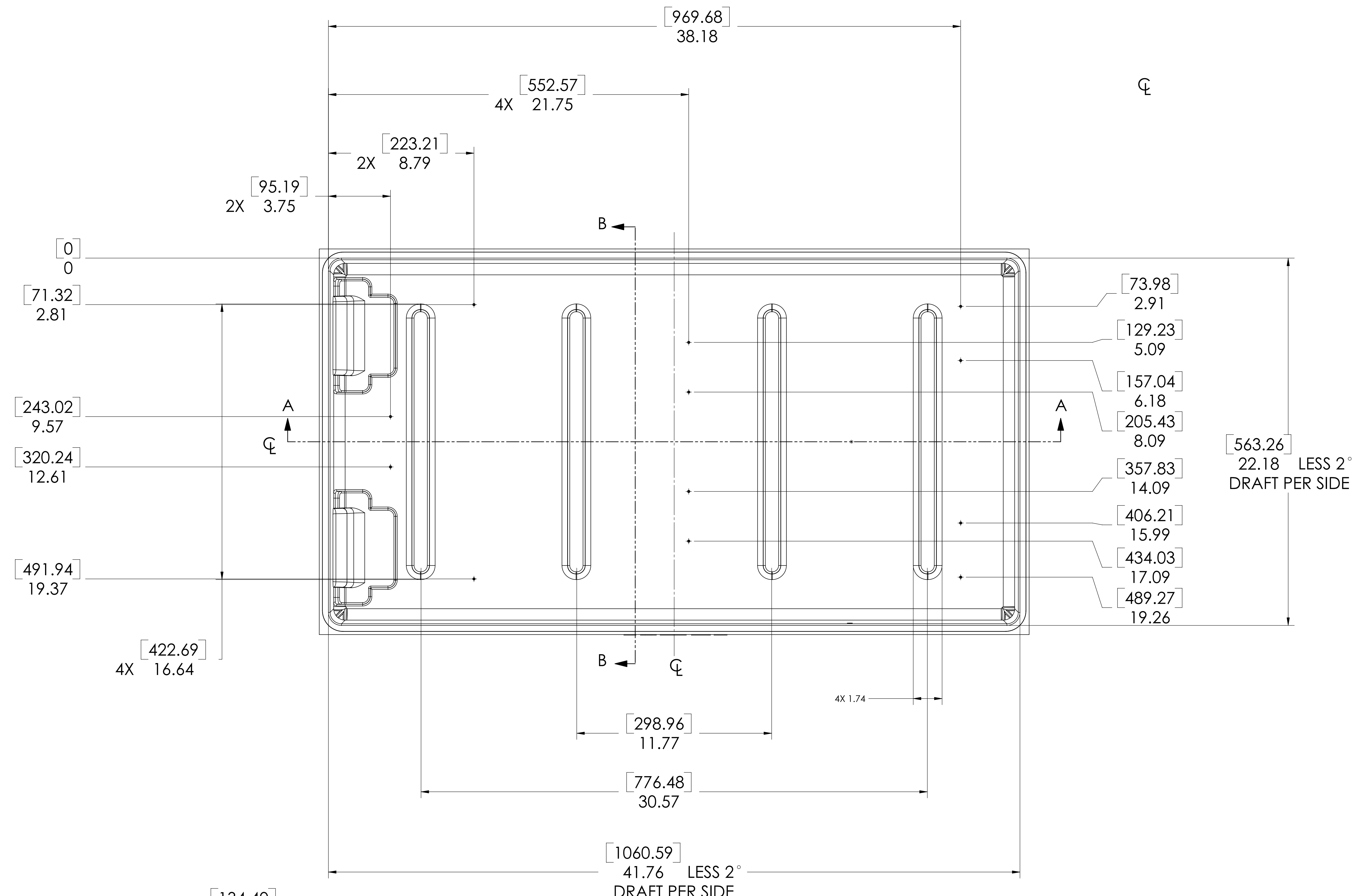



REV.	DESCRIPTION	REVISIONS		DRFTR	APPR'VD
		DATE			
	DRAWING RELEASE	2/28/2007		JG	RH



1. ALL DIMENSION ARE TO INTERNAL GEOMETRY OF CASE.
NOTES: UNLESS OTHERWISE SPECIFIED.

 <p>PELICAN You break it, we replace it... forever.</p>	<small>This Drawing contains information proprietary to Pelican Products Inc. Any reproduction, disclosure or use of this drawing requires written permission of Pelican Products Inc.</small>	APPROVALS DATE CHECKED APPROVED	PELICAN PRODUCTS INC. 23215 EARLY AVE., TORRANCE, CA 90503 (310) 326-4700 TITLE 1780 CASE BOTTOM INTERNAL GEOMETRY
	SIZE SCALE DRAWING NO. REV E 1780 BOTTOM	DO NOT SCALE DRAWING SHEET 1 OF 1	

