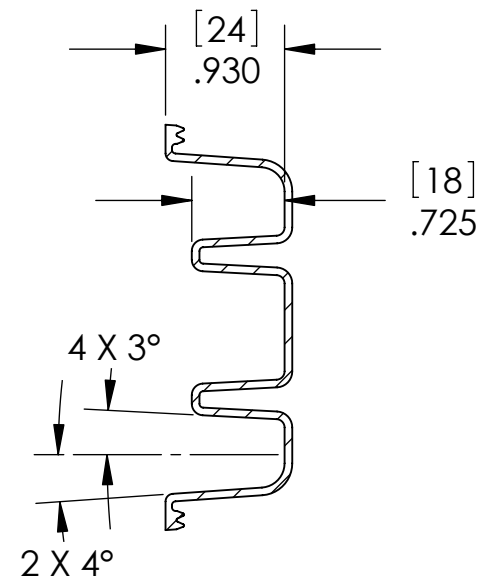
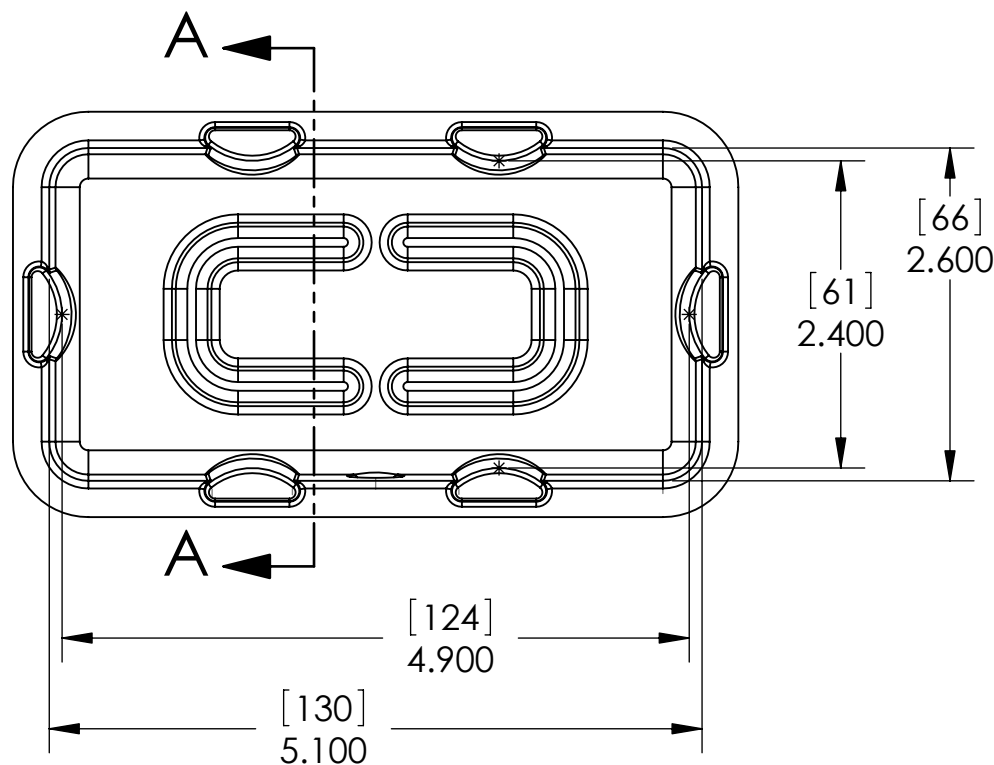




REVISIONS					
REV.	DESCRIPTION	ECO#	DATE	DRFTR	APPR'VD
PR	RELEASED FOR OEM DRAWING		08-11-09	MH	BS

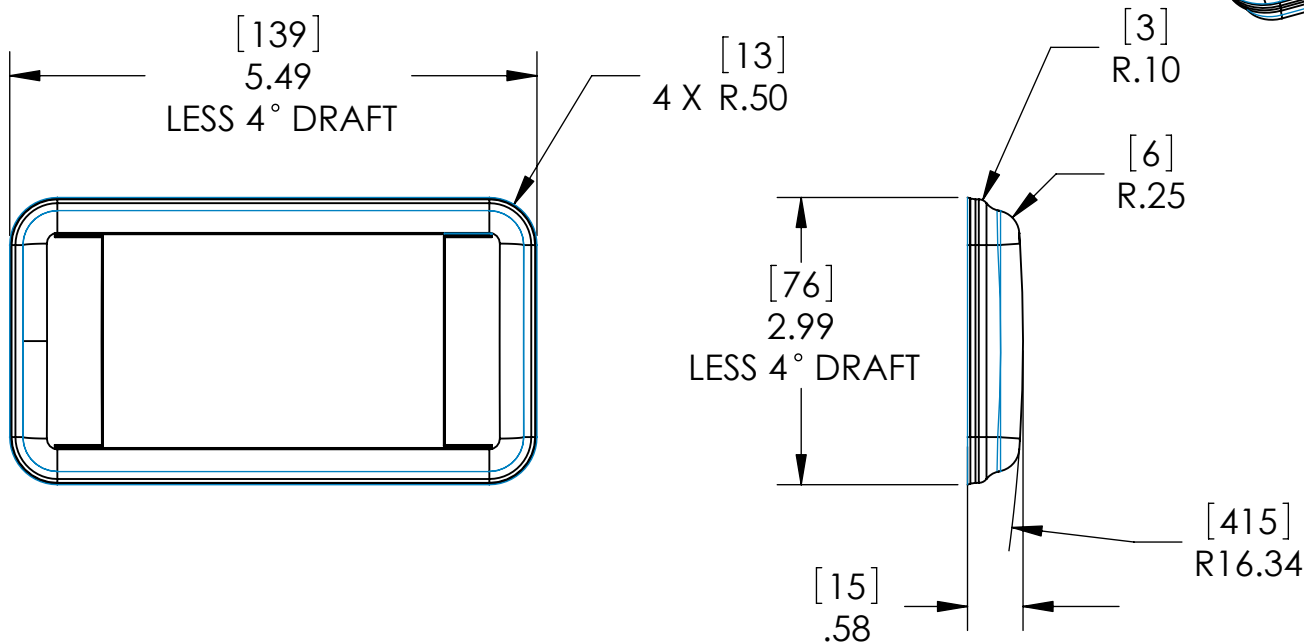
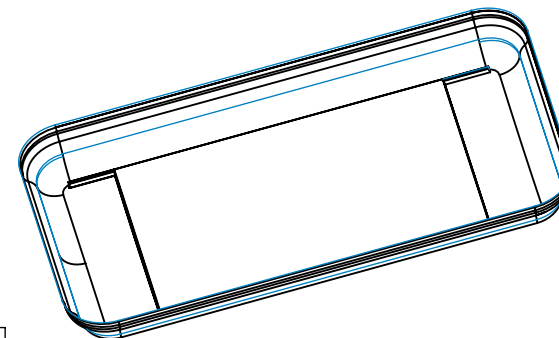


SECTION A-A
SCALE 1 : 1.5

2- LINER GEOMETRY ONLY (LINER INSERTED IN THE CASE BOTTOM.)
 1- ALL DIMENSIONS ARE TO THE INTERNAL GEOMETRY OF THE CASE LINER ONLY.
 NOTE:: UNLESS OTHERWISE SPECIFIED.

 <p>PELICAN™ You break it, we replace it... forever.</p>	TITLE		APPROVALS		DATE
	i1015 BOTTOM INTERIOR GEOMETRY		DRAWN		
This Drawing contains information proprietary to Pelican Products Inc. Any reproduction, disclosure or use of this drawing requires the written permission of Pelican Products Inc.	TOLERANCE		 <p>PELICAN™ You break it, we replace it... forever.</p> <p>PELICAN PRODUCTS INC. 23215 EARLY AVE., TORRANCE, CA 90505 (310) 326-4700</p>		
	DECIMAL	ANG			
	XX 0.01 SIZE	XXX 0.005 MATERIAL	1/4		
DO NOT SCALE DRAWING	A SHT 1 OF 1	SCALE 1:2	DRAWG #	REV	
			i1015_OEM_BTM	PR	

REVISIONS					
REV.	DESCRIPTION	ECO#	DATE	DRFTR	APPR'VD



1- ALL DIMENSIONS ARE TO THE INTERNAL GEOMETRY OF THE CASE.
NOTE: UNLESS OTHERWISE SPECIFIED.



1015 CUBE CASE, TOP INTERNAL GEOMETRY	APPROVALS	DATE
	DRAWN	
	CHECK	
	APPR	

This Drawing contains information proprietary to Pelican Products Inc. Any reproduction, disclosure or use of this drawing requires the written permission of Pelican Products Inc.

Tolerance

Decimal	ANG

PELICAN PRODUCTS INC.
23215 EARLY AVE., TORRANCE, CA 90505 (310) 326-4700

DO NOT SCALE DRAWING	SIZE A	MATERIAL	DRAWG #	REV
	SHT 1 OF 1	SCALE 1:2	1015	PR