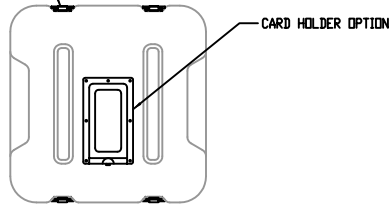
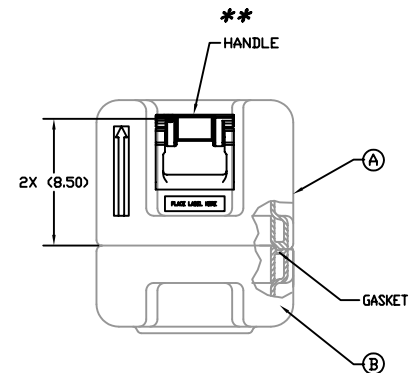
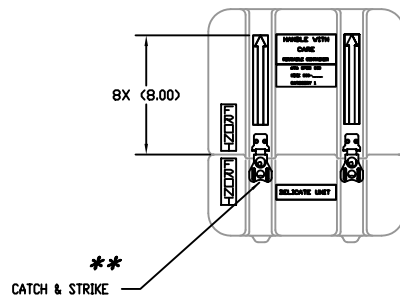
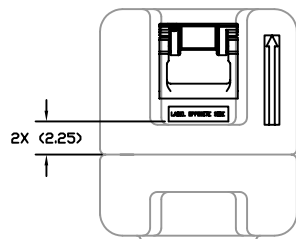


ON ALL CATCH CONTAINER LOCATE
2ND LOCKING DEVICE HERE



DIMENSIONS (FOR REFERENCE ONLY)	INCH	MM
OVERALL LENGTH (LEFT TO RIGHT)	13.12	333.3
OVERALL WIDTH (FRONT TO BACK)	13.12	333.3
OVERALL HEIGHT	15.62	396.7
INSIDE LENGTH (LEFT TO RIGHT)	9.69	246.1
INSIDE WIDTH (FRONT TO BACK)	9.69	246.1
INSIDE HEIGHT	14.25	362
INSIDE "A" HEIGHT	9.00	228.6
INSIDE "B" HEIGHT	5.25	133.4

** ALTERNATIVE HARDWARE IS
AVAILABLE FOR *** ITEMS.



NOTE:
THIS DRAWING REPRESENTS HARDIGG'S STANDARD CASE OPTIONS,
LOCATED IN STANDARD LOCATIONS. IF ALTERNATIVE OPTIONS OR
LOCATIONS ARE REQUIRED, HARDIGG MUST QUOTE SEPARATELY.

HARDIGG INDUSTRIES, INC. <small>SOUTH BEEFELD, MASSACHUSETTS 01878</small>		<small>THIS DRAWING AND ALL COPIES AND THE DESIGN AND DATA SHOWN ARE THE PROPERTY OF HARDIGG INDUSTRIES, INC. SOUTH BEEFELD, MA USA AND INCLUDE PROPRIETARY INFORMATION. THE BORROWER BY RECEIPT OR RETENTION OF THE DRAWING AGREES THAT, EXCEPT AS EXPRESSLY AUTHORIZED IN WRITING BY HARDIGG INDUSTRIES, INC. IT WILL (a) NOT USE THE DRAWING OR ANY COPY OF THE DESIGN OR DATA SHOWN (b) NOT REPRODUCE, COPY, EXCEPT, EXHIBIT OR DISTRIBUTE THE DRAWING OR ANY COPY FOR USE BY OTHERS AND (c) UPON DEMAND RETURN THE DRAWING, AND ALL COPIES AND MATERIAL COPIED THEREFROM.</small>
TITLE - STANDARD CONFIGURABLE CASE		
CASE 11214	DRAW. NO. 1010-0905R	
REV. DRAWN BY B. ANTOSZ	DATE 01/28/04	SHEET 1 OF 1

1010-0905R