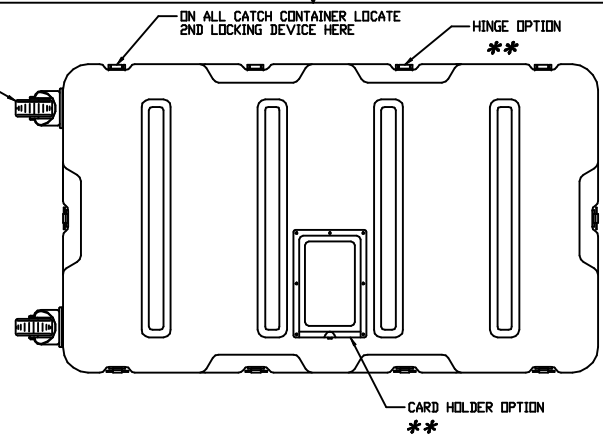


FIXED CASTER
(LEFT SIDE) OPTION



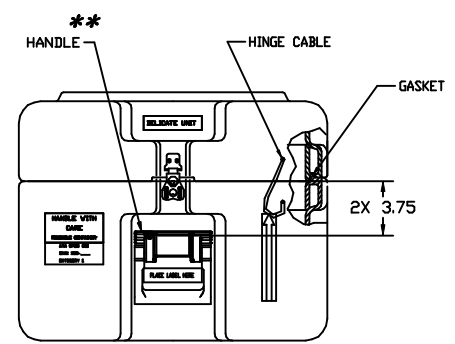
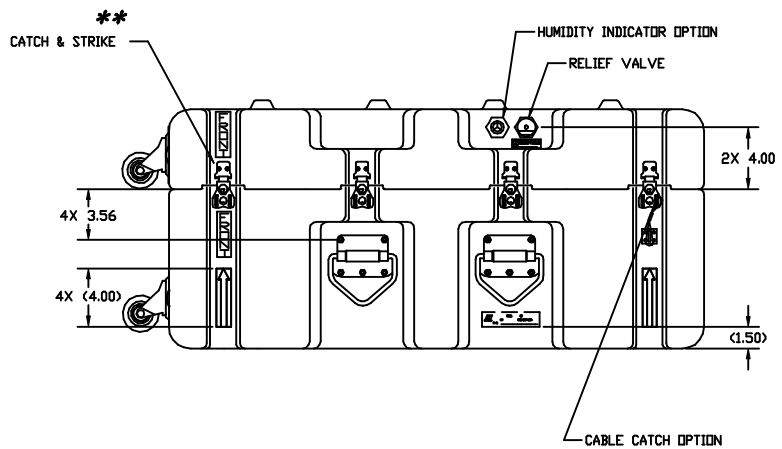
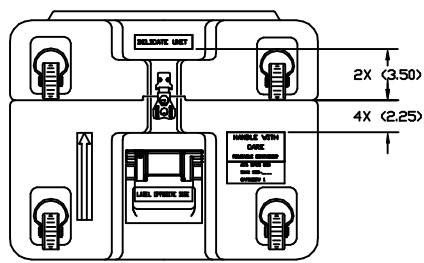
EDGE CASTER OPTION
P21-1307



| DIMENSIONS (FOR REFERENCE ONLY) | INCH | MM |
|---------------------------------|-------|-------|
| OVERALL LENGTH (LEFT TO RIGHT) | 37.18 | 944.4 |
| OVERALL WIDTH (FRONT TO BACK) | 21.00 | 533.4 |
| OVERALL HEIGHT | 17.31 | 439.7 |
| INSIDE LENGTH (LEFT TO RIGHT) | 34.18 | 868.2 |
| INSIDE WIDTH (FRONT TO BACK) | 18.00 | 457.2 |
| INSIDE HEIGHT | 15.37 | 384.3 |
| INSIDE BASE HEIGHT | 10.12 | 257 |
| INSIDE LID HEIGHT | 5.25 | 133.4 |

** ALTERNATIVE HARDWARE IS
AVAILABLE FOR "***" ITEMS.

TELESCOPING HANDLE,
BUMPER, AND EDGE
CASTERS AVAILABLE



NOTE:
THIS DRAWING REPRESENTS HARDIGG'S STANDARD CASE OPTIONS,
LOCATED IN STANDARD LOCATIONS. IF ALTERNATIVE OPTIONS OR
LOCATIONS ARE REQUIRED, HARDIGG MUST QUOTE SEPARATELY.

| | | |
|--|------------------------------|--|
| HARDIGG INDUSTRIES, INC. <small>8000 BEEFIELD, MASSACHUSETTS 01870</small> | | <small>THIS DRAWING AND ALL COPIES AND THE DESIGN AND DATA SHOWN ARE THE PROPERTY OF HARDIGG INDUSTRIES, INC. 8000 BEEFIELD, MA USA, AND INCLUDE PROPRIETARY INFORMATION. THE PURCHASER BY RECEIPT OR RETENTION OF THIS DRAWING AGREES THAT, EXCEPT AS EXPRESSLY AUTHORIZED IN WRITING BY HARDIGG INDUSTRIES, INC. IT WILL NOT USE THE DRAWING OR ANY COPY OF THE DESIGN OR DATA SHOWN OR NOT REPRODUCE, COPY, EXCEPT COPIES OR JUST-RIBUTE THE DRAWING OR ANY COPY FOR USE BY OTHERS AND CO. UPON DEMAND RETURN THE DRAWING AND ALL COPIES AND MATERIAL COPIED THEREFROM.</small> |
| TITLE STANDARD CONFIGURABLE CASE | | |
| CASE 11214 | DWG. NO. 3418-1005 | SHEET 1 OF 1 |
| REV. DRAWN BY C. LABRE | DATE 03/11/99 | |

3418-1005