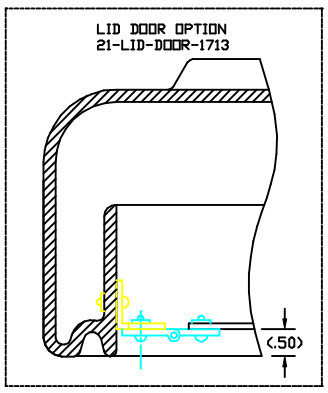
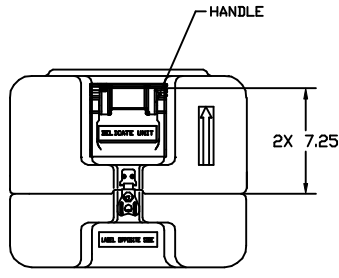
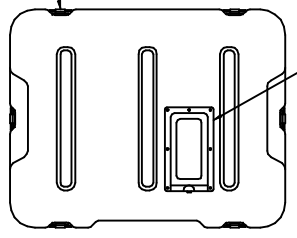


DIMENSIONS (FOR REFERENCE ONLY)	INCH	MM
OVERALL LENGTH (LEFT TO RIGHT)	19.00	482.6
OVERALL WIDTH (FRONT TO BACK)	15.06	382.5
OVERALL HEIGHT	13.56	344.4
INSIDE LENGTH (LEFT TO RIGHT)	16.88	428.8
INSIDE WIDTH (FRONT TO BACK)	12.88	327.2
INSIDE HEIGHT	12.50	317.5
INSIDE BASE HEIGHT	4.50	114.3
INSIDE LID HEIGHT	8.00	203.2

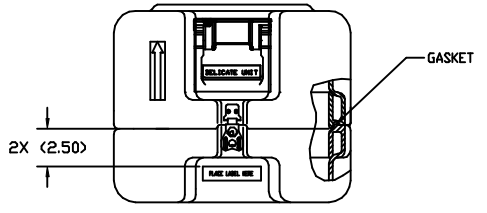
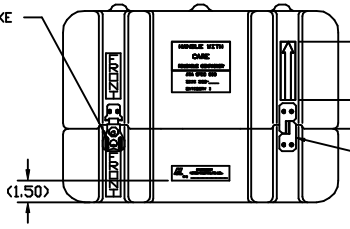
** ALTERNATIVE HARDWARE IS AVAILABLE FOR "***" ITEMS.



LOCATE 2ND LOCKING DEVICE HERE



**
CATCH & STRIKE



NOTE:
THIS DRAWING REPRESENTS HARDIGG'S STANDARD CASE OPTIONS, LOCATED IN STANDARD LOCATIONS. IF ALTERNATIVE OPTIONS OR LOCATIONS ARE REQUIRED, HARDIGG MUST QUOTE SEPARATELY.

HARDIGG INDUSTRIES, INC. <small>20701 BEEFIELD, MASSACHUSETTS 01503</small>		<small>THIS DRAWING AND ALL COPIES AND THE DESIGN AND DATA SHOWN ARE THE PROPERTY OF HARDIGG INDUSTRIES, INC., 20, BEEFIELD, MA, U.S.A. AND INCLUDE PROPRIETARY INFORMATION. THE PURCHASER BY RECEIPT OR RETENTION OF THE DRAWING AGREES THAT, EXCEPT AS EXPRESSLY AUTHORIZED IN WRITING BY HARDIGG INDUSTRIES, INC., IT WILL (1) NOT USE THE DRAWING OR ANY COPY OF THE DESIGN OR DATA SHOWN (2) NOT REPRODUCE, COPY, EXCEPT, EXHIBIT OR DISTRIBUTION THE DRAWING OR ANY COPY FOR USE BY OTHERS AND (3) UPON DEMAND RETURN THE DRAWING AND ALL COPIES AND MATERIAL COPIED THEREFROM.</small>
TITLE STANDARD CONFIGURABLE CASE		
CAGE 11214	INS. NO. 1713-0408	
REV. E	DRAWN BY: CATHY LABRIE	DATE 06.JAN.00
		SHEET 1 OF 1

1713-0408