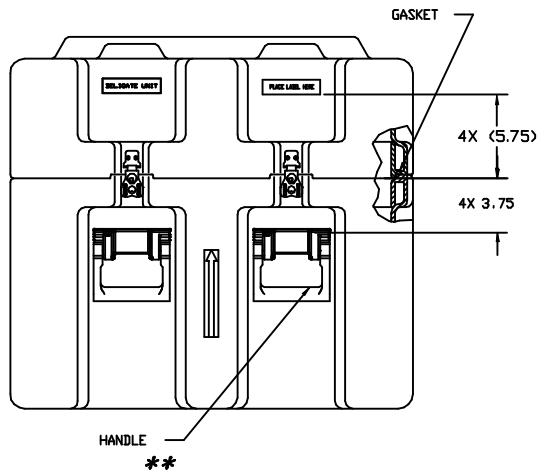
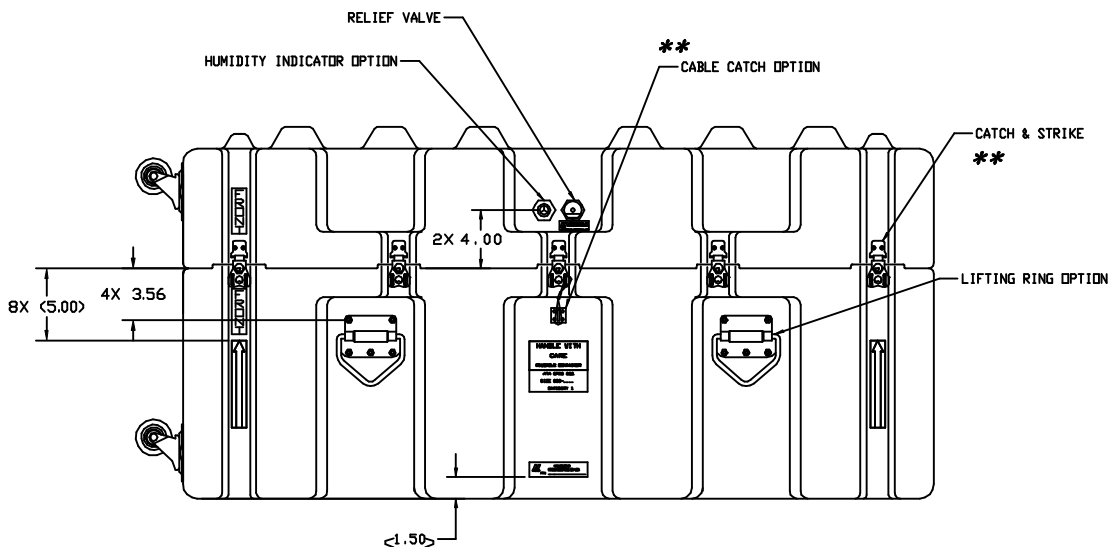


SKID RUNNER OPTION
(STACKABLE)
21-SKID RNR-08

DIMENSIONS (FOR REFERENCE ONLY)	INCH	MM
OVERALL LENGTH (LEFT TO RIGHT)	51.50	1308.1
OVERALL WIDTH (FRONT TO BACK)	27.50	698.5
OVERALL HEIGHT	25.69	652.5
INSIDE LENGTH (LEFT TO RIGHT)	48.00	1219.2
INSIDE WIDTH (FRONT TO BACK)	24.00	609.6
INSIDE HEIGHT	21.99	558.5
INSIDE BASE HEIGHT	13.87	352.3
INSIDE LID HEIGHT	8.12	206.2

** ALTERNATIVE HARDWARE IS
AVAILABLE FOR "**" ITEMS.



NOTE:
THIS DRAWING REPRESENTS HARDIGG'S STANDARD CASE OPTIONS,
LOCATED IN STANDARD LOCATIONS. IF ALTERNATIVE OPTIONS OR
LOCATIONS ARE REQUIRED, HARDIGG MUST QUOTE SEPARATELY.

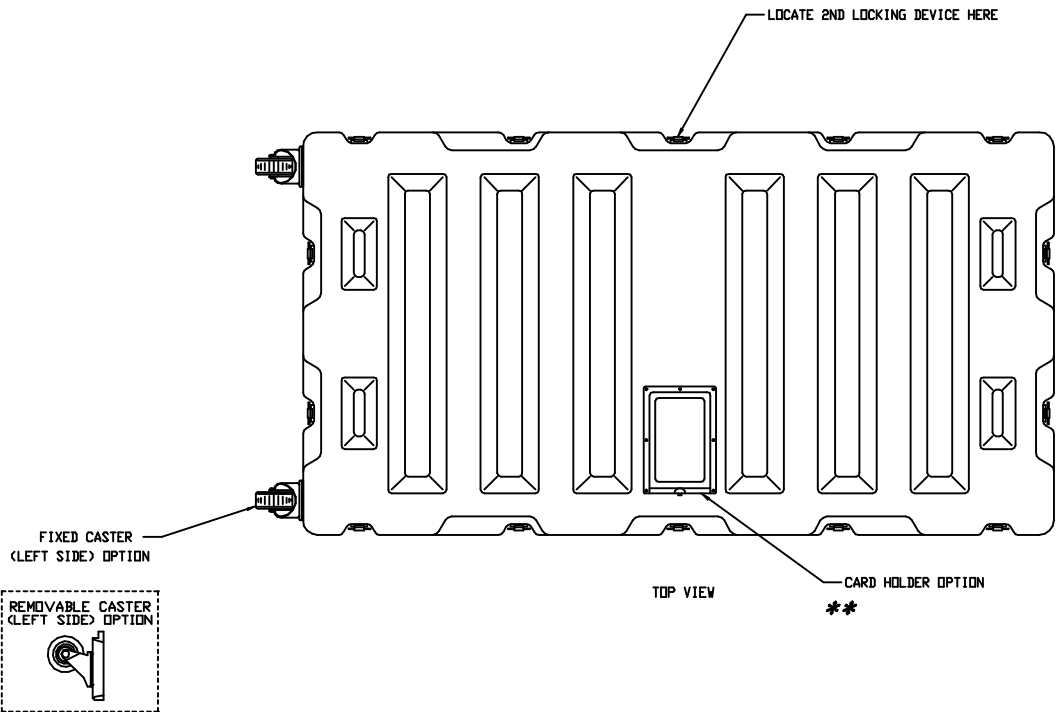
CASTER OPTION - CONTAINER BOTTOM
REMOVABLE STYLE ONLY

(MAKES CONTAINER NON-STACKABLE)

HARDIGG INDUSTRIES, INC. <small>80701 BEEFIELD, MASSACHUSETTS 01500</small>		THIS DRAWING AND ALL COPIES AND THE DESIGN AND DATA SHOWN ARE THE PROPERTY OF HARDIGG INDUSTRIES, INC., BEEFIELD, MA, U.S.A., AND INCLUDE PROPRIETARY INFORMATION. THE DRAWER BY RECEIPT OR RETENTION OF THE DRAWING AGREES THAT, EXCEPT AS EXPRESSLY AUTHORIZED IN WRITING BY HARDIGG INDUSTRIES, INC., IT WILL (1) NOT USE THE DRAWING OR ANY COPY OF THE DESIGN OR DATA SHOWN (2) NOT REPRODUCE, COPY, EXCEPT, EXHIBIT OR DIS- TRIBUTE THE DRAWING OR ANY COPY FOR USE BY OTHERS AND (3) UPON DEMAND RETURN THE DRAWING AND ALL COPIES AND MATERIAL COPIED THEREFROM.
TITLE STANDARD CONFIGURABLE CASE		
CASE	DWG. NO.	
11214	4824-1408	
REV. DRAWN BY:	DATE	SHEET
VERNE SPILLER	03/04/12	1 OF 2

4824-1408

*** ALTERNATIVE HARDWARE IS AVAILABLE FOR *** ITEMS.



4824-1408

COUNTER GRAPHICS DRAWING
CHECKED BY: [] DRAWN BY: []
DATE: []

D	CASE NO. 11214	SUB. NO. 4824-1408	REV. []
PART. NO. CONFIG			SHEET 2 OF 2