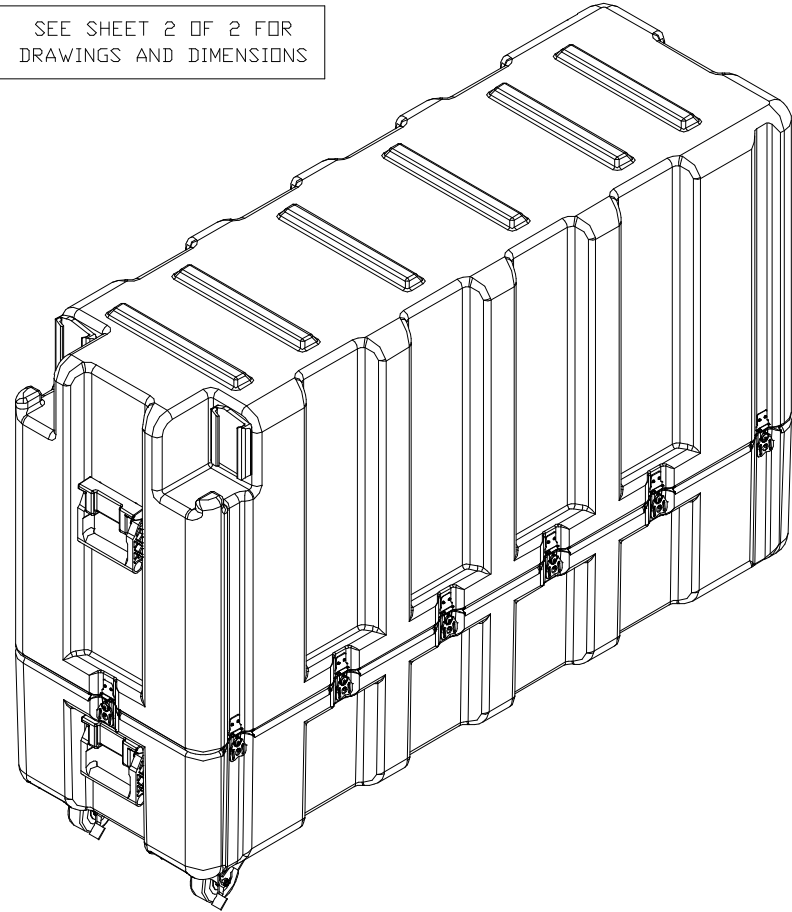


Manufacturer	Size	Model No.	Cushion Set	Part ID Number
Fujitsu	42"	PDS4203	CS-3	20-FUJ4203
	42"	PDS4204	CS-3	20-FUJ4204
	42"	PDS4207	CS-3	20-FUJ4207
	42"	PDS4209	CS-2	20-FUJ4209
	42"	PDS4210	CS-2	20-FUJ4210
	42"	PDS4211	CS-2	20-FUJ4211
	42"	PDS4212	CS-4	20-FUJ4212
	42"	PDS4214	CS-2	20-FUJ4214
	42"	PDS4221	CS-2	20-FUJ4221
	42"	PDS4222	CS-2	20-FUJ4222
Hitachi	37"	307XU	CS-12	20-HIT307XU
	41"	401XU	CS-11	20-HIT401XU
	42"	402HDU	CS-2	20-HIT402HDU
JVC	42"	GD-V425PZW	CS-3	20-JVCV425
	42"	GD-V4200PZW	CS-2	20-JVCV4200
EIKI	42"	PLD-42UE	CS-3	20-EIK42UE
NEC	32"	3300	CS-14	20-NEC3300
	42"	42MP1	CS-2	20-NEC42MP1
	42"	42MP2	CS-2	20-NEC42MP2
	42"	42PD1	CS-8	20-NEC42PD1
	42"	4200	CS-2	20-NEC4200
	42"	4205	CS-2	20-NEC4205
	42"	4210	CS-2	20-NEC4210
	50"	50PD1	CS-6	20-NEC50PD1
	50"	50MP1	CS-7	20-NEC50MP1
	50"	5000	CS-7	20-NEC5000
Panasonic	37"	PT37PD1P	CS-13	20-PAN37PD1P
	37"	TC-37P1F	CS-15	20-PAN37P1F
	42"	PT42P1	CS-2	20-PAN42P1
Philips	42"	42FD9932	CS-9	20-PHI9932
	42"	42PW9982	CS-9	20-PHI9982
	42"	420P10	CS-9	20-PHI420P10
Pioneer	40"	PDP-402	CS-10	20-PI0402
	50"	PDP-502	CS-5	20-PI0502
	50"	PDP-505HD	CS-5	20-PI0505
SONY	42"	PFM500A2WU	CS-3	20-SON500A2
	42"	PFM500A3WU	CS-3	20-SON500A3
	42"	PFM510A2WU	CS-3	20-SON510A2
	42"	PFM-42B1	CS-2	20-SON42B1
Viewsonic	42"	VPW420	CS-2	20-VIE420

Cushion Set	Cavity Dimensions	Drawing No.
CS-1	No Cushion	N/A
CS-2	41.25 x 25.5 x 3.5	15567-202
CS-3	41 x 25.5 x 6.0	15567-203
CS-4	46.25 x 25.5 x 3.5	15567-204
CS-5	48 x 28.5 x 4.0	15567-205
CS-6	48 x 28.75 x 5.25	15567-206
CS-7	49 x 30 x 4.5	15567-207
CS-8	39.5 x 23.5 x 4.5	15567-208
CS-9	48.25 x 27 x 6.0	15567-209
CS-10	36.25 x 28.25 x 4.0	15567-210
CS-11	37 x 29.25 x 4.0	15567-211
CS-12	35 x 27 x 4.0	15567-212
CS-13	33.75 x 22.75 x 3.5	15567-213
CS-14	31 x 24.5 x 5.25	15567-214
CS-15	35.5 x 22.75 x 3.5	15567-215

COLOR	HARDIGG COLOR #
GREY	GRY-133
WHITE	WHT-132
OLIVE DRAB	OD-137
BRIGHT GREEN	GRN-309
FOREST GREEN	GRN-138
LIGHT BLUE	BLU-101
DARK BLUE	BLU-135
ORANGE	ORG-134
BLACK	BLK-032
YELLOW	YEL-136
RED	RED-130
PURPLE	PUR-129
TAN	TAN-250
MAROON	MAR-197

SEE SHEET 2 OF 2 FOR DRAWINGS AND DIMENSIONS



CASE SIZE: AL5415-1026

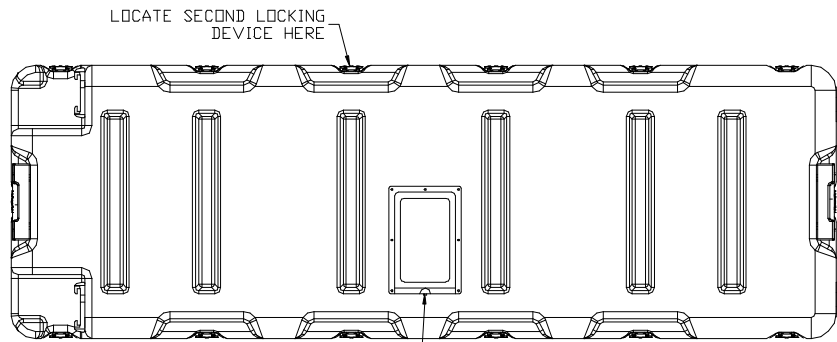
STANDARD CONFIGURABLE CASE

NOTE:
This drawing represents Hardigg's standard hardware and markings placed in standard locations. Alterable configurations are available upon request. If custom options or locations are required, Hardigg must quote separately.

This drawing and all copies and the design and data shown are the property of HARDIGG INDUSTRIES, INC. No part of this drawing or any copy of the design or data shown is to be reproduced, copy, except, exhibit or distribute the drawing or any copy for use by others and it is upon demand return the drawing, all copies and all material copies therefrom.

DIMENSIONS (REFERENCE ONLY)	INSIDE		OUTSIDE	
	INCH	MM	INCH	MM
LENGTH (LEFT TO RIGHT)	54.06	1373	57.06	1449
WIDTH (FRONT TO BACK)	15.88	403	18.88	480
HEIGHT	35.37	898	37.54	954
BASE HEIGHT	10.00	254	WEIGHT	
LID HEIGHT	25.37	644	89	40.4 Kg

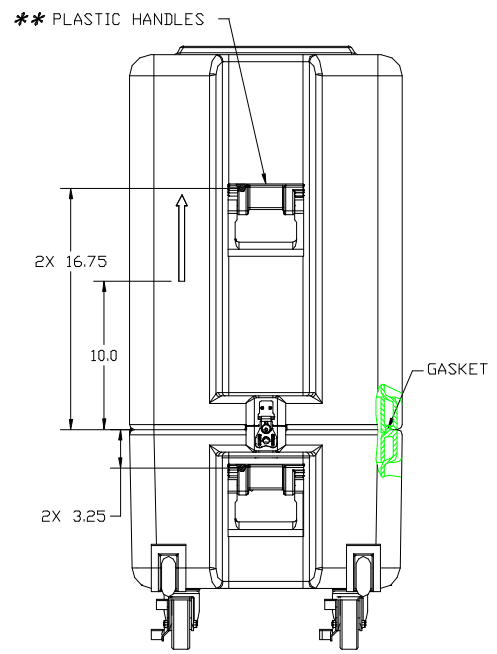
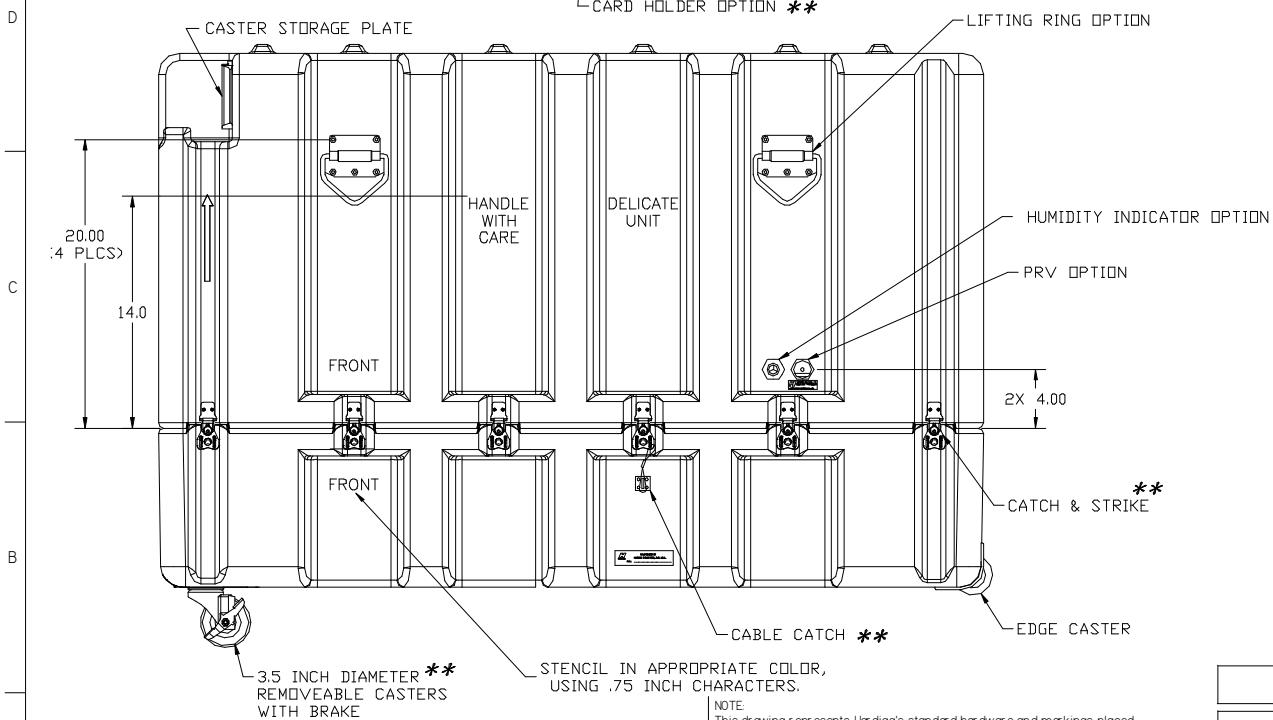
HARDIGG [®]		HARDIGG CASES A Division of HARDIGG INDUSTRIES, INC. South Deerfield, Massachusetts 01373 USA	
TITLE	PLASMA MONITOR CASE	CAGE CODE	11214
DWG NO.	15567-201	REV.	E
DR.	LALIKOS	DATE	01-FEB-14
SCALE	N/A	SHEET	1 OF 2



CONTAINER COLORS	STENCIL COLORS
GRY - 133	BLACK
WHT - 132	BLACK
OD - 137	YELLOW
GRN - 138	YELLOW
BLU - 101	WHITE
BLU - 135	BLACK
ORG - 134	BLACK
BLK - 032	WHITE
YEL - 136	BLACK
RED - 130	BLACK
PUR - 129	BLACK
TAN - 250	BLACK
MRN - 197	YELLOW

** ALTERNATIVE HARDWARE IS AVAILABLE FOR "***" ITEMS.

SEE SHEET 1 OF 2 FOR MONITOR MODEL AND CUSHION SET DATA



CASE SIZE: AL5415-1026

STANDARD CONFIGURABLE CASE

NOTE
This drawing represents Hardigg's standard hardware and markings placed in standard locations. Alter note configurable options are available upon request. If custom options or locations are required, Hardigg must quote separately.

This drawing and all copies and the design and data shown are the property of HARDIGG INDUSTRIES, INC. So Designated MA U.S.A. and include proprietary information. The borrower, by receipt or retention of the drawing agrees that, except as expressly authorized in writing by HARDIGG INDUSTRIES, INC. it will not use the drawing or any copy of the design or data shown (2) not reproduce, copy, except, exhibit or distribute the drawing or any copy for use by others and (3) upon demand return the drawing, all copies and all material copies therefrom.

DIMENSIONS (REFERENCE ONLY)	INSIDE		OUTSIDE	
	INCH	MM	INCH	MM
LENGTH (LEFT TO RIGHT)	54.06	1373	57.06	1449
WIDTH (FRONT TO BACK)	15.88	403	18.88	480
HEIGHT	35.37	898	37.54	954
BASE HEIGHT	10.00	254	WEIGHT	
LID HEIGHT	25.37	644	89 LBS.	40.4 Kg

H HARDIGG	HARDIGG® CASES A Division of HARDIGG® INDUSTRIES, INC. South Deerfield, Massachusetts 01373 USA	
	TITLE PLASMA MONITOR CASE	CAGE CODE 11214
DWG NO. 15567-201	REV. E	
DR. LALIKOS	DATE 01-FEB-14	SCALE N/A
	SHEET 2	OF 2